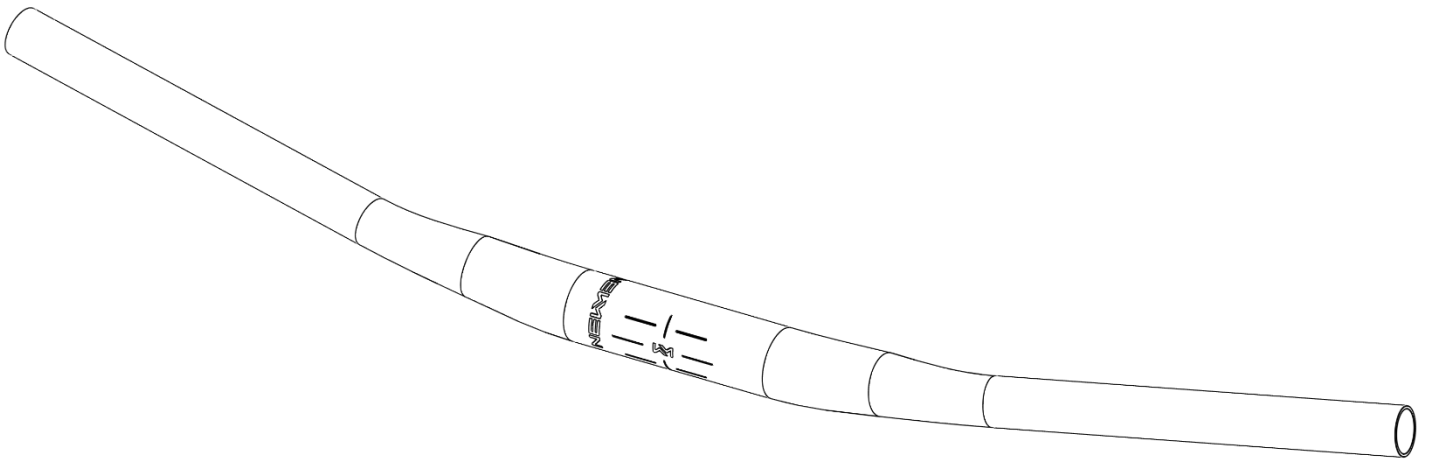


NEWMEN

NEWMEN handlebar

Technical Manual



Version: 1.0; Date: 24.09.2024

Contents

1	Safety and instructions for use.....	3
2	Warranty and crash replacement.....	4
2.1	Warranty summary.....	4
2.2	Crash Replacement summary.....	4
3	Technical data.....	5
3.1	Handlebar installation.....	5
3.2	Installation of brake and shift levers.....	7
3.3	Installation of additional parts to the handlebar (for example clamped, lights, computer,...).....	7
3.4	Shortening the handlebar.....	7
4	Maintenance.....	7

1 Safety and instructions for use



DANGER

Not following the below points can cause the components to fail which can cause the rider to lose control resulting in SEVERE INJURY OR DEATH.

Before and after every ride, check to see whether any of the components are damaged and that everything is still intact. If problems arise, the components should no longer be used. If you are in doubt, please see your local bicycle dealer.

- Follow the manufacturer's instructions for installing the components on the bicycle. The user manuals for all NEWMEN products can be found at www.newmen-components.de/Downloads
- Follow the manufacturer's safety instructions
- Follow the maximum system weight as specified in the manufacturer's instructions
- Before every ride you should make sure that all the components are properly tightened.
- The components must be compatible with all parts of the bicycle. If in doubt consult your dealer
- The components are only to be used according to their stated purpose. See the document "classification and intended use" at www.newmen-components.de/Downloads • Only use original replacement parts. Do not change or modify the components.
- All components must be serviced by a specialist dealer according to the maintenance plan in the product manual.
- Do not clean the components with high-pressure power washers.
- If there is any damage or indication of damages, then the components cannot be used without further analysis. If there is any doubt, please contact your local dealer.

MG-Components GmbH & Co KG offer first class service and crash replacement exceeding the legally required warranty. For detailed information please visit www.newmen-components.de

2 Warranty and crash replacement

In addition to high-quality products, we also offer firstclass service. That is why MG-Components GmbH & Co. KG provides not only the legally required warranty on all NEWMEN products, but also an additional three-year warranty on all material and manufacturing defects.

2.1 Warranty summary

- All components must be installed and used according to the assembly instructions.
- The respective manufacturer's warranty applies to all third-party parts.
- Improper use, not following the instructions for use, incorrect repair, assembly or maintenance, as well as damages caused by incorrect wheel assembly (spoke pattern, spoke cross, spoke tension, incorrect torque, incorrect lubrication, etc.) are not covered under the warranty.

2.2 Crash Replacement summary

- The offer is valid for three years from the date of purchase.
- It can also be transferred to the next owner.
- Damages must affect functionality (visual damages are excluded).
- Replacement is made with the same model. However, MG-Components GmbH & Co. KG reserves the right to replace the damaged article with an alternative product of the same value.
- You have no legal claim to the damaged product, which will become the property of MG-Components GmbH & Co. KG.
- MG-Components GmbH & Co. KG will not pay for costs related to assembly, shipping or customs.
- Crash Replacement is not a substitute for any warranty stipulations that apply in the individual countries.
- Components such as tyres, cassettes, brake discs, brake callipers, etc. must be removed.
- The following is a list of reasons why the Warranty and the Crash Replacement Service guarantee benefits may not apply.
- Damages caused by incorrect installation of the components.
- Damages caused by incorrect repairs to the components.
- Improper use, e.g. a cross-country wheelset used for downhill riding
- Modification to the components
- Maintenance or repairs that were either incorrectly done or not carried out
- Normal wear and tear from use of the components
- Transport and delivery damages
- Improper use and/or mishandling
- Damages from an accident

3 Technical data

All technical points for handlebars are explained below. There is no weight limit for the handlebars.

Do not use any aggressive cleaning agents.

Check that the handlebar is properly secured in the stem.

Our carbon handlebars are not approved for installation with bar ends.

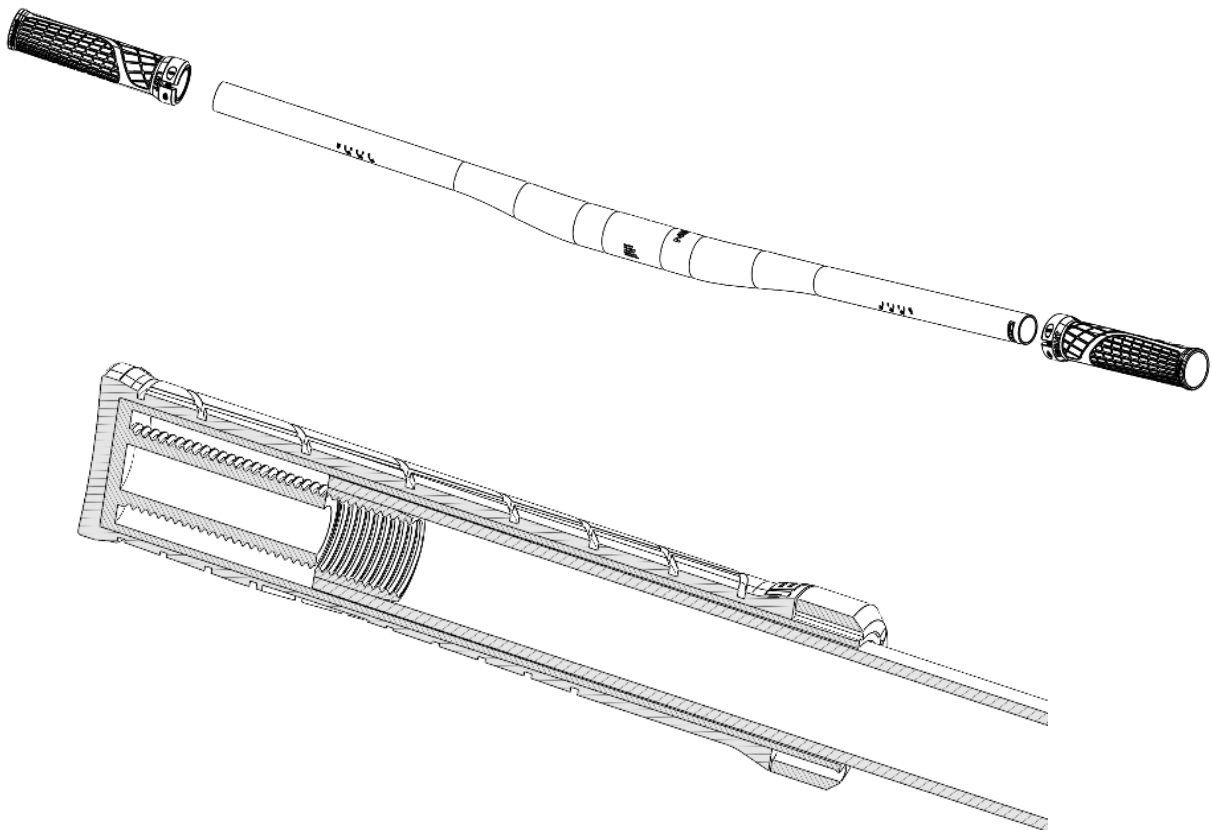
3.1 NEWMEN handlebar installation

- Inspect the handlebar clamp area and remove any burrs and sharp edges. Be sure that you are using a stem with the proper clamp size diameter
- Remove the stem face plate, insert the handlebar between the stem and the stem face plate. Be sure the stem clamps on the sanded surface area of the handlebar for proper clamping to reduce possibility of handlebar slippage.
- Tighten the bolts with max. torque of 8 Nm. Start with one bolt, tighten a bit and then tighten all bolts crosswise until the maximum torque is reached.

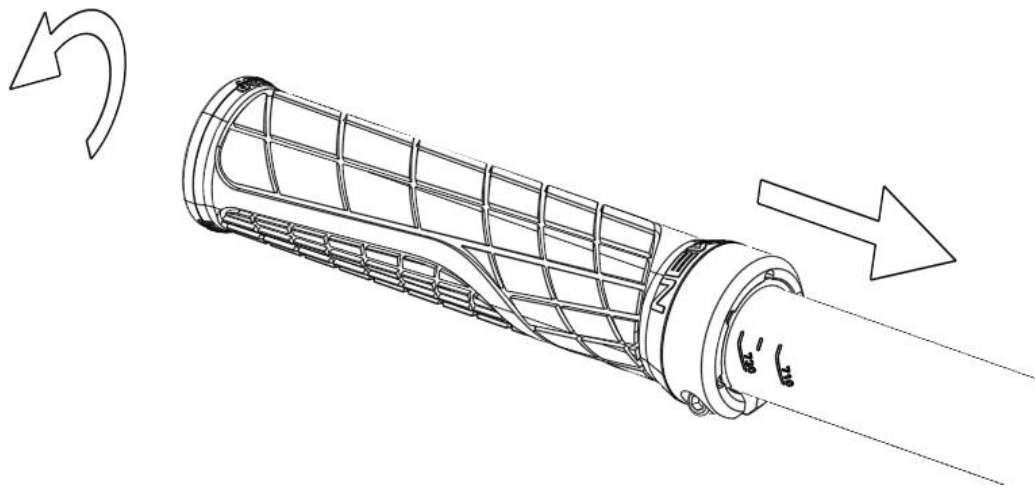
3.2 Instruction for NEWMEN VGS Handlebar and NEWMEN VGS Grips

Pull the left VGS grip over the left end of the VGS handlebars and the right VGS grip over the right end of the handlebars until you notice a resistance of the VGS threads. Make sure that all components inside the grips are pre-assembled in advance.

The VGS Resia grips have no side markings, left and right grip are identical.

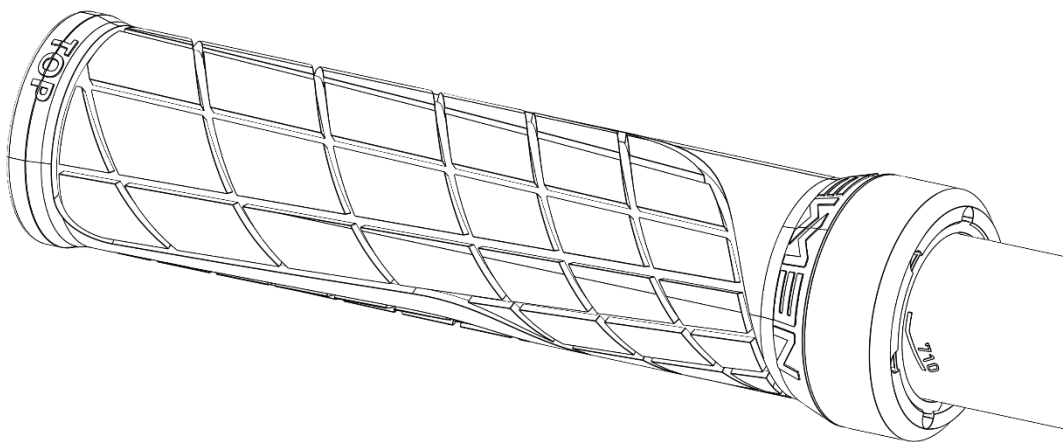


Now start to adjust the handles to the desired width by rotating them. As left and right side have a right-hand thread, the grips move clockwise to the handlebar center and counterclockwise from the handlebar center via rotation. The scale on the handlebar shows the width, measured from the end of the grip to the end of the grip.

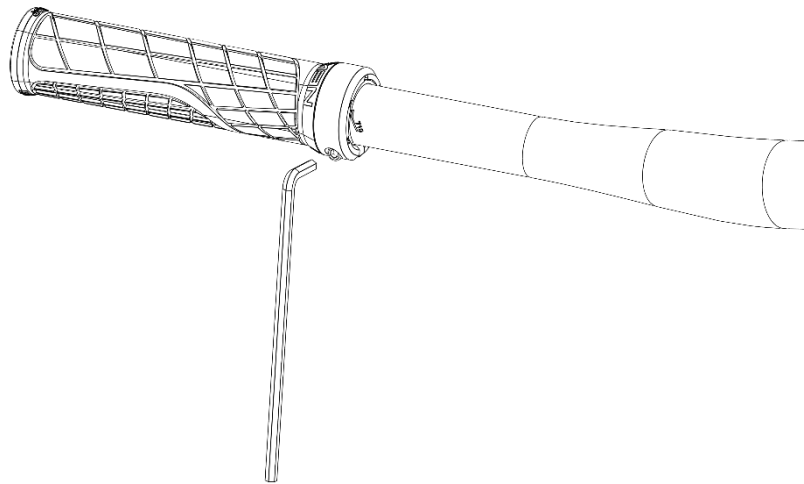


Never attach the handlebars outside the “STOP” mark. This must be covered by the grip.

When adjusting the width, note the top and bottom markings on the grips



The lowest marking must not be exceeded when adjusting the width.



Once the desired width has been set, the handle must be tightened to a torque of 3 Nm.

3.3 Installation of brake and shift levers

Position the brake and shift levers in the desired position and tighten the clamp until the levers can no longer be twisted. Do not exceed the maximum torque of 3 Nm.

3.4 Installation of additional parts to the handlebar (for example clamped, lights, computer,...)

Make sure the clamp sits on the circular section and do not exceed the maximum torque of 2,5 Nm.

3.5 Shortening the handlebar

Never cut a NEWMEN VGS handlebar!

Handlebars without VGS: Do not shorten the handlebar by more than 20 mm on each side. Otherwise, use a more narrow handlebar. Our carbon handlebars are not approved for installation with bar ends.

Shorten the carbon handlebar **only** with a fine-toothed metal saw, **never** with a pipe cutter! Only shorten carbon handlebar outdoors with gloves and dust mask.

4 Maintenance

Check the handlebar for any kind of damage, for example cracks, delamination, and others.

Check the handlebars at least twice a year, at the latest after 500 km.

Check the handlebars after crash/falls or similar impacts.

If you are unsure, visit a specialist dealer and have the handlebars checked by them.